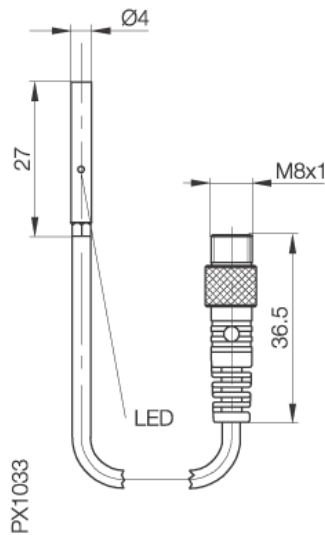


BES 516-3007-G-E4-C-S49-00,3  
 BES00JJ

PNP  
 NO  
 flush mountable



**Electrical data:**

Time delay before availability	25 ms
Operating frequency (f)	3000 Hz
Voltage drop max. static	3 V
Off-state current max. (I <sub>r</sub> )	80 µA
Ripple max. of U <sub>e</sub>	= 10 %
Supply voltage max. (U <sub>b</sub> )	30 V
Rated operational voltage (U <sub>e</sub> )	24 DC V
Load current capacity (I <sub>e</sub> )	100 mA
Utilization category	DC 13
Hysteresis max (H)	15 %
Switching output	PNP
Supply voltage min. (U <sub>b</sub> )	10 V
Connection	Cable with connector M8
Electrical type	DC
No-load supply current damped	= 10 mA
Switching element function	NO

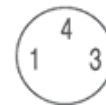
**General data:**

Output indication	yes
Short circuit protected	yes
Protected against polarity reversal	yes
Degree of protection IP	IP67
Approval	CE,c_ul_us

**Wiring:**



**Pinout:**



**Mechanical data:**

Number of Wires	3-wire
Mounting	flush mountable
Sensing face material	POM
Housing material	corrosion resistance Steel
Repeat accuracy max. (R)	5 %
Rated operating distance (sn)	1,5 mm
Diameter	4 mm
Ambient temperature max	+70 °C
Assured operating distance	0...1,2 mm
Ambient temperature min	-25 °C
Degree of pollution	3